



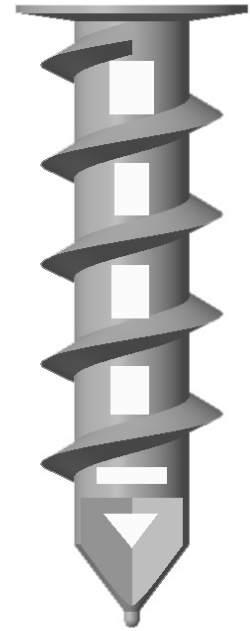
Nylon Speed Drive Anchor

DESCRIPTION

The Nylon Speed Drive Anchor is a self-drilling designed for fast and reliable fastenings in drywall

TYPICAL APPLICATION

- ✓ Picture
- ✓ Paintings
- ✓ Lighting
- ✓ Coat hangers
- ✓ Electrical
- ✓ Rails
- ✓ Small wall-mounted shelves



FEATURES

- Can be used in single and double thickness plasterboard
- Installation with a standard screwdriver means that no special tools are necessary
- Flange prevents accidental push through in plasterboard.
- Recommended screw diameter: 3.5 - 4.2 mm

MATERIAL SPECIFICATION

- Material: Polyamide PA 6

ANCHOR SELECTION

Type	Part No.	Size	Diameter	Length (mm)	Screw Dia (mm)	Box (pcs)
I	600814028	14 × 28	14	28	4.0-5.5	100
	600813042	13 × 42	13	42	4.0-5.5	100
II	600814042	14 × 42	14	42	4.0-5.5	100
	600810035	10 × 35	10	35	4.0-5.5	100
III	600814032	14 × 32	14	32	4.0-5.5	100
	600813042	13 × 42	13	42	4.0-5.5	100

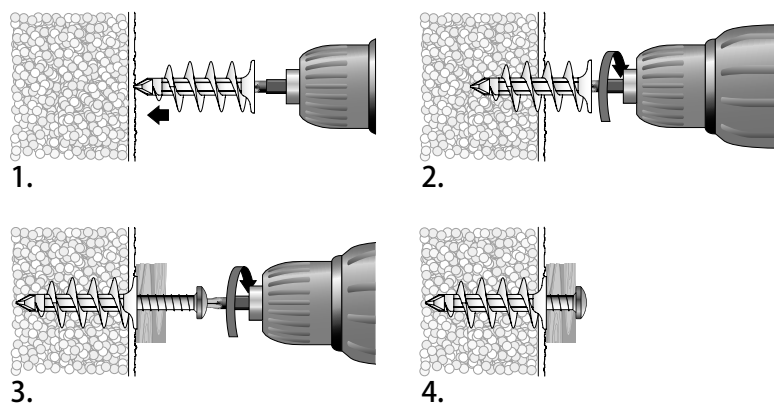
Nylon Speed Drive Anchor



INSTALLATION

Type	Size	d (mm)	L (mm)	t _{fix} (mm)
I	14 × 28	14	28	8
	13 × 42	13	42	22
II	14 × 42	14	14	20
	10 × 35	10	10	13
III	14 × 32	14	14	10
	13 × 42	13	13	20

* d = Anchor diameter, L= Total length, T_{fix} = Max.fixture thickness



PERFORMANCE DATA

Gypsum Wall Board Thickness	12.5 mm	
	Pullout (KN)	Shear (KN)
Allowable Loads*	0.06	0.09

NOTE

Predrill with a 8 mm drill bit when fixing to gypsum fibreboard and double-planked gypsum platerboard.